

YZ-4 SF

SETTING SHEET Ver.01

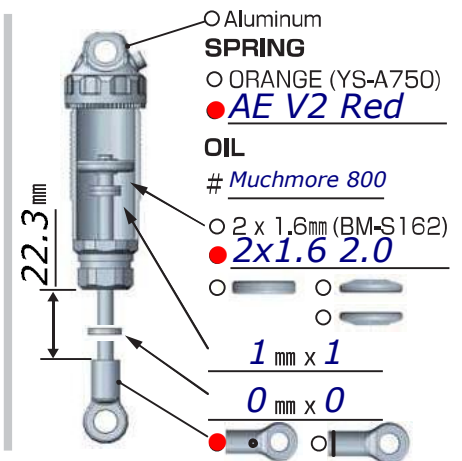
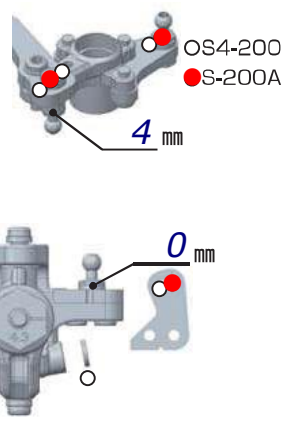
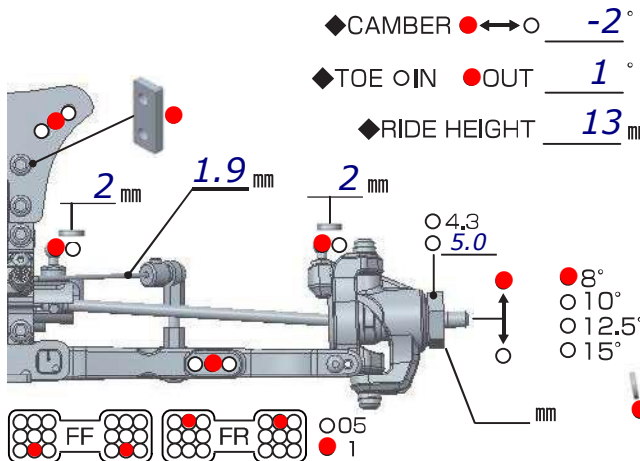
CIRCUIT NCTS FINAL THUNDER ROAD

- INDOOR ○ OUTDOOR
- DIRT ○ASTROTURF ● CARPET ○GRASS ○WOOD
- WET ○DRY ○DUSTY ○SMOOTH ○BUMPY
- HARD PACKED ○CLAY ○BLUE GROOVE ○ CRC Black Mix
- LOW TRACTION ● MED TRACTION ● HIGH TRACTION

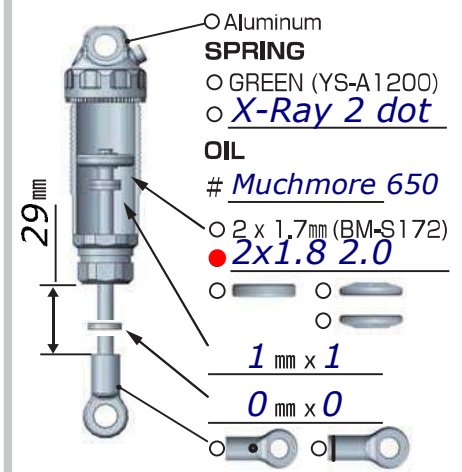
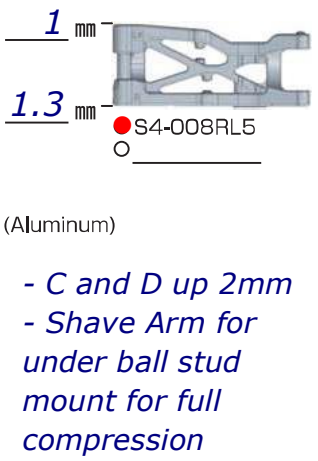
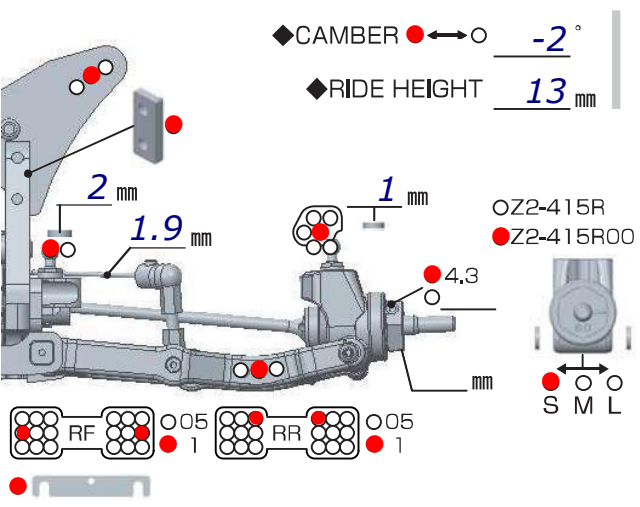
DRIVER Matty G

DATE _____

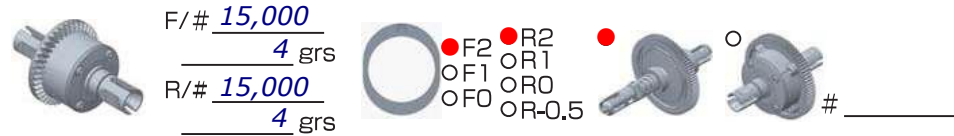
FRONT



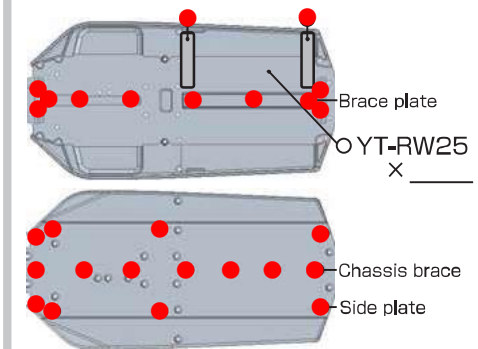
REAR



DRIVE



- MOTOR ⇨ RevTech X-Factor 13.5 Rotor 12.5 mm
- GEAR ⇨ Spur 78T / Pinion 23 T: ○ 2.5 / ○ 2.35
- BATTERY ⇨ Trinity White Carbon "Turf Pack" 5000
- ESC ○ YOKOMO RPX ○ YOKOMO BL-PRO4
 ● HobbyWing XR10 Pro Gen 2

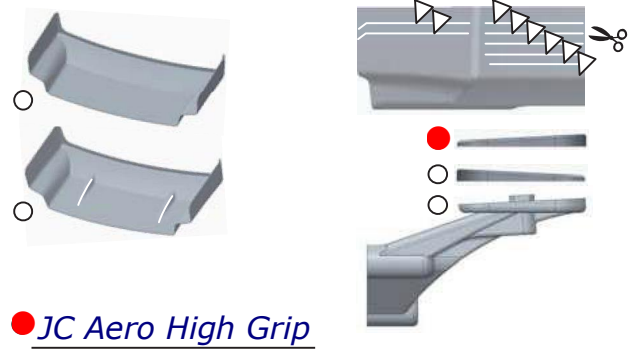


TIRE

- FRONT
- TIRE ⇨ Swaggers
 - INSERTS ⇨ None
 - WHEELS ⇨ JC Mono (Yellow is fooster)

- REAR
- TIRE ⇨ Twin Pin
 - INSERTS ⇨ Grey Stock
 - WHEELS ⇨ JC Mono (Yellow is fooster)

OTHER



- Yokomo Aluminum Center Bones
- RC Speed Secrets Bearings
- Machine Collars for X-ray Springs
- X-ray Bottom Cups
- RP Ti screws

COMMENT _____